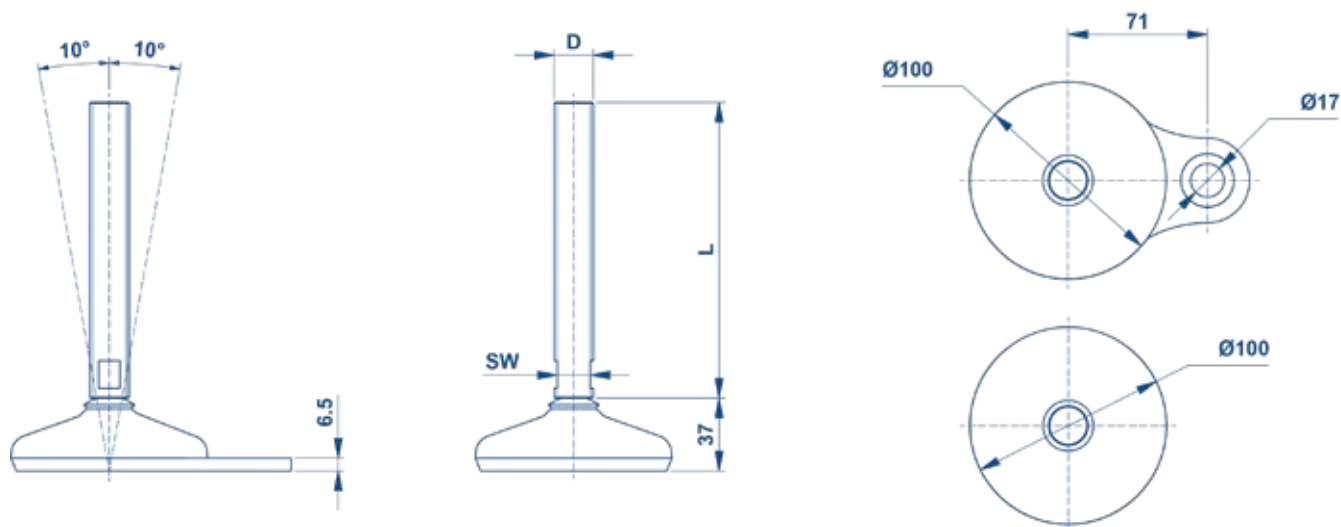


BJ levelling feet - 100 mm (BJLF100/BJLF101)



Item no. without fixing plate	Item no. with fixing plate	Spindle Length (L) [mm]	Dimension (D) [mm]	Spindle Width (SW) [mm]	Approx. max. load [N]	Weight without fixing plate [kg]	Weight with fixing plate [kg]
BJFL-100-M16-150	BJFL-101-M16-150	150	M16	13	21	0.68	0.75
BJFL-100-M16-200	BJFL-101-M16-200	200	M16	13	15,1	0.74	0.81
BJFL-100-M20-150	BJFL-101-M20-150	150	M20	17	21	0.79	0.86
BJFL-100-M20-200	BJFL-101-M20-200	200	M20	17	21	0.89	0.96
BJFL-100-M24-150	BJFL-101-M24-150	150	M24	20	21	0.92	0.99
BJFL-100-M24-200	BJFL-101-M24-200	200	M24	20	21	1.07	1.14