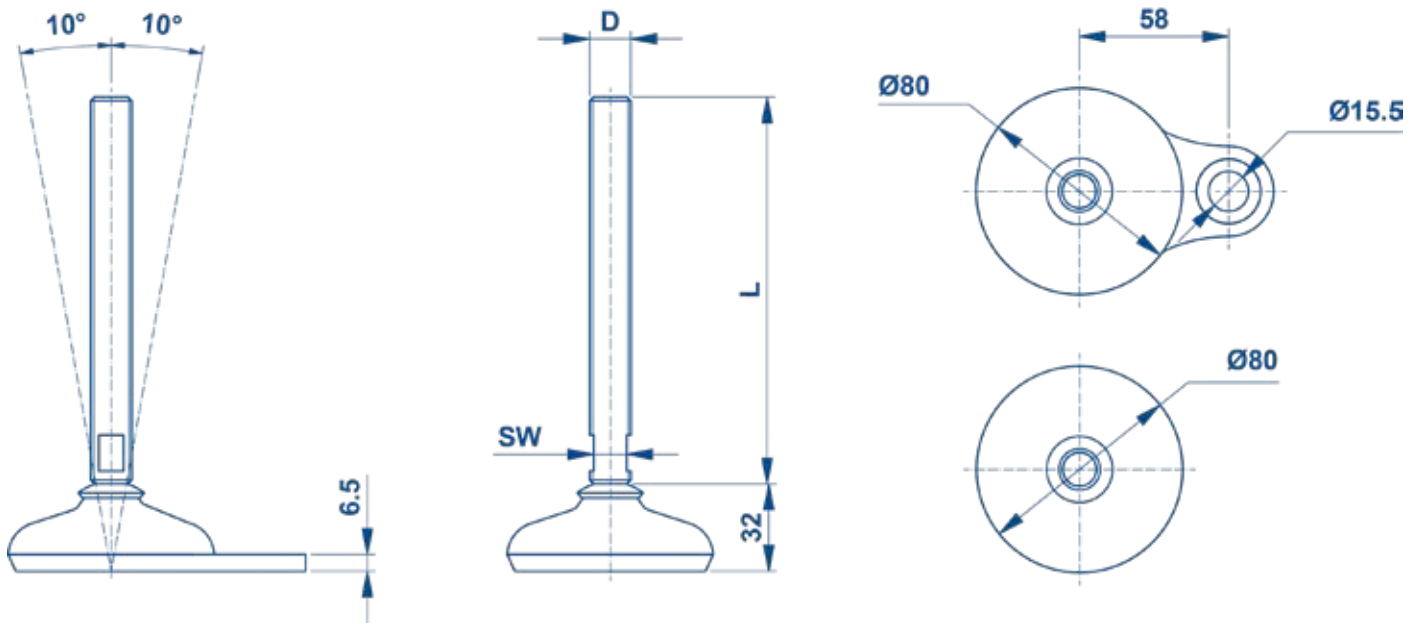


## BJ levelling feet - 80 mm (BJLF80/BJLF81)



| Item no. without fixing plate | Item no. with fixing plate | Spindle Length (L) [mm] | Dimension (D) [mm] | Spindle Width (SW) [mm] | Approx. max. load [N] | Weight without fixing plate [kg] | Weight with fixing plate [kg] |
|-------------------------------|----------------------------|-------------------------|--------------------|-------------------------|-----------------------|----------------------------------|-------------------------------|
| BJFL-80-M12-120               | BJFL-81-M12-120            | 120                     | M12                | 10                      | 12,6                  | 0.36                             | 0.41                          |
| BJFL-80-M12-150               | BJFL-81-M12-150            | 150                     | M12                | 10                      | 7,3                   | 0.38                             | 0.43                          |
| BJFL-80-M16-150               | BJFL-81-M16-150            | 150                     | M16                | 13                      | 15,7                  | 0.47                             | 0.52                          |
| BJFL-80-M16-200               | BJFL-81-M16-200            | 200                     | M16                | 13                      | 15,1                  | 0.53                             | 0.59                          |
| BJFL-80-M20-150               | BJFL-81-M20-150            | 150                     | M20                | 17                      | 15,7                  | 0.58                             | 0.63                          |
| BJFL-80-M20-200               | BJFL-81-M20-200            | 200                     | M20                | 17                      | 15,7                  | 0.68                             | 0.74                          |