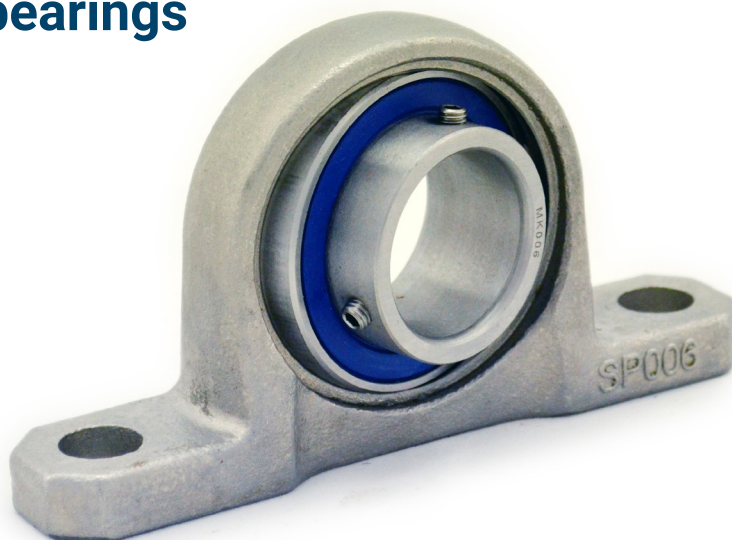


with set screw lock

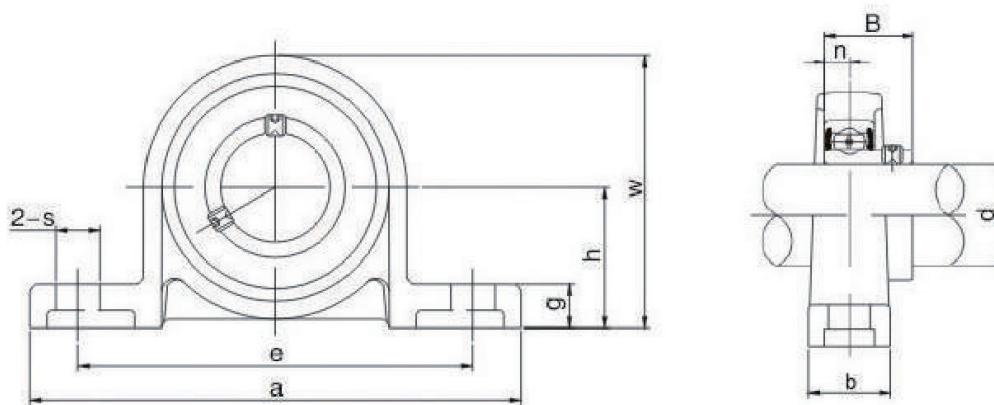
bj.gear

Customisation is our standard

MKP - Mini stainless steel pillow block bearings



Technical specifications & drawings



Item No.	d	h	a	e	b	s	g	W	B	n	Bolt size	Weight [kg]
MKP000	10	18	67	53	16	7	6	35	17.5	4.0	M6	0.07
MKP001	12	19	71	56	16	7	6	38	17.5	4.0	M6	0.09
MKP002	15	22	80	63	16	7	7	43	18.5	4.5	M6	0.13
MKP003	17	24	85	67	18	7	7	47	20.5	5.0	M6	0.16
MKP004	20	28	100	80	20	10	9	55	24.5	6.0	M8	0.23
MKP005	25	32	112	90	20	10	10	62	25.5	6.0	M8	0.29
MKP006	30	36	132	106	26	13	11	70	26.5	6.5	M10	0.45
MKP007	35	40	150	118	26	13	13	80	29.5	7.0	M10	0.59

All measurements are in millimeters. When ordering please use the catalogue numbers.

BJ-Gear A/S

Niels Bohrs Vej 47
DK-8660 Skanderborg
Denmark

Phone +45 87 40 80 80
Email bj@bj-gear.com
Website www.bj-gear.com